



BAR RACK GRAB

8000 SERIES



2 - One each side
S10100640



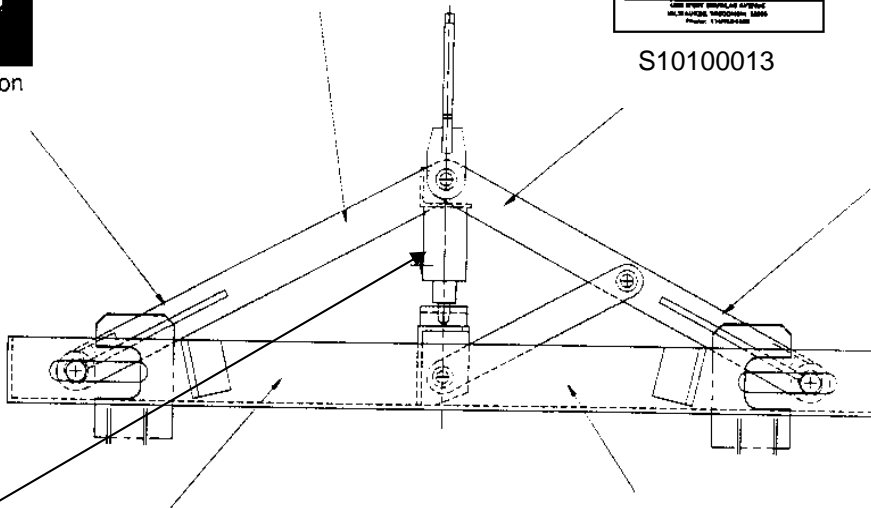
2 - One each side on outside links
S10100300



S10100013



2 - One each side on outside links
S10100300



Capacity
2 - One each side
S10100054



2 - One on each side
S10100001



S10100920

All safety decals must be kept clean and legible and replaced when necessary. Call or write to Bushman Equipment to obtain free replacement decals.

Serial Number _____

Date _____

Customer _____

ISS-BRG 8000-08/09

PO Box 309, Butler, WI 53007
262-790-4200, 800-338-7810 Fax 262-790-4202
www.BushmanAvonTec.com
Sales@BushmanAvonTec.com