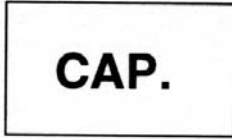


S10100052



Capacity  
2 - One each side

S10100001



2 - One on each side

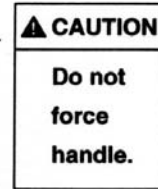


S10100013

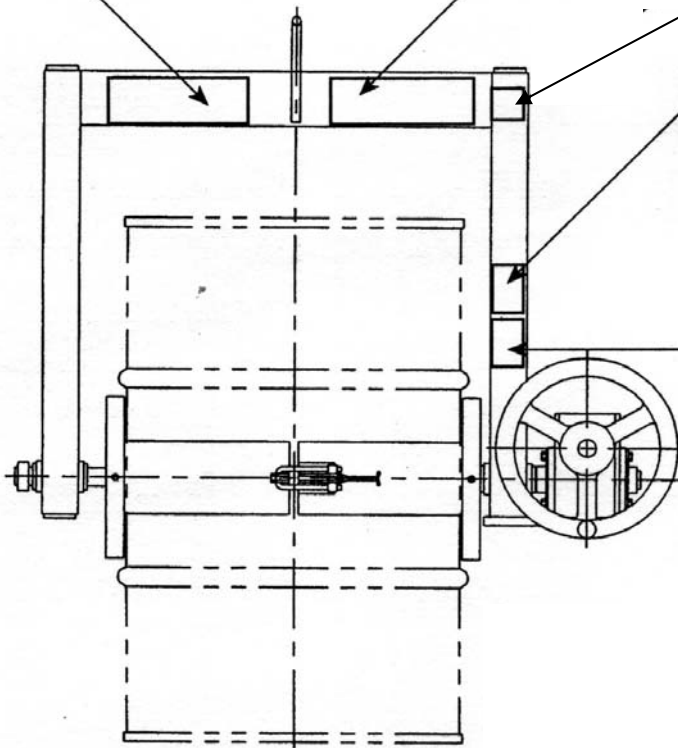
S10100640



2 - One each side



S10100648



All safety decals must be kept clean and legible and replaced when necessary. Call or send an email to Bushman Equipment to obtain free replacement decals.

Serial Number \_\_\_\_\_

Date \_\_\_\_\_

Customer \_\_\_\_\_

ISS-DT 700 8-09

PO Box 309, Butler, WI 53007  
800-338-7810; Fax 262-790-4202  
www.BushmanAvonTec.com  
Sales@BushmanAvonTec.com